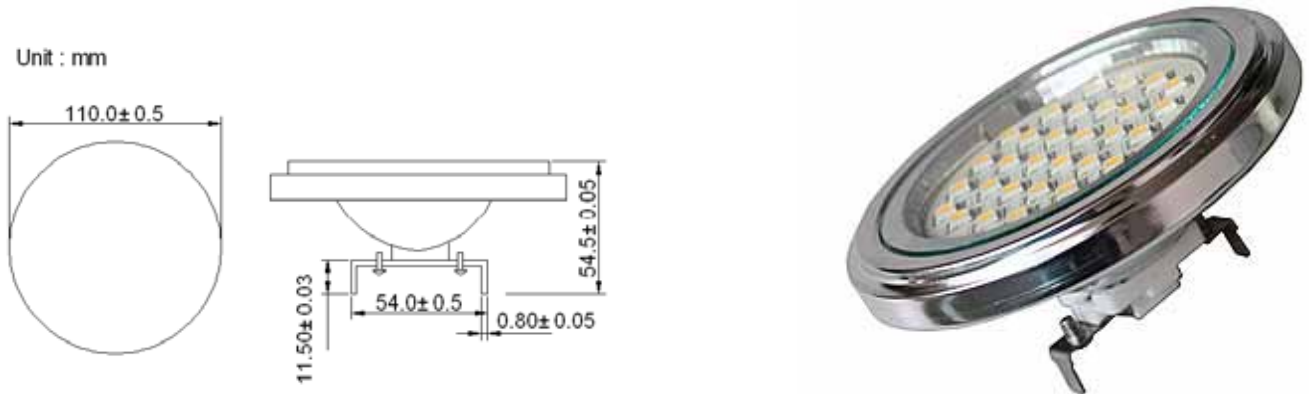


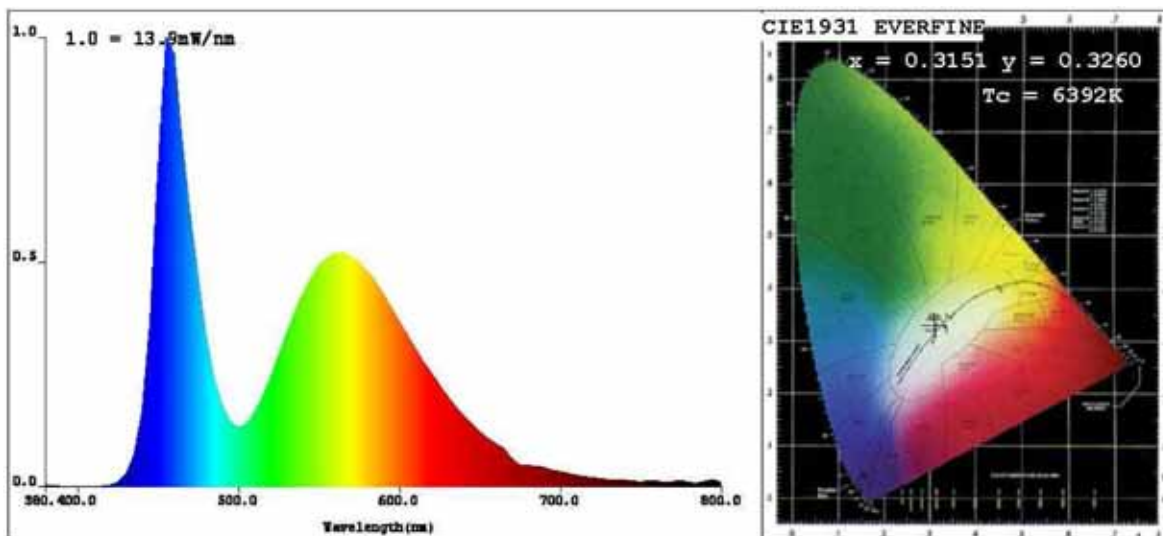
## AR111-30B54-12V White



### Electrical and optical characteristics (Ta = 25°C)

Parameters	Symbol	Values			Unit
		MIN	TYP	MAX	
Input Voltage	$V_{in}$	10	12 AC/DC	24	$V_{DC}$
Input Current	$I_{in}$	130	330	400	mA
Oscillation Frequency	$f$	suitable for Industrial Frequency Transformer or High Frequency Electronic Transformer			Hz
Power Consumption (MAX)	$P$	4.2			W
LED QTY	-	30			PCS
CCT	-	6000			K
Lumunous flux (MAX)	-	380-390 lum			Lm
Operating Temperature	$T_{opr}$	-20	25	40	°C

### Light Source Test Report



**CIE Color Parameters:**

Chromaticity Coordinate:  $x=0.3151$   $y=0.3260$  /  $u'=0.2007$   $v'=0.4671$  ( $duv=4.26e-004$ )

CCT:  $T_c=6392K$  Prcp WaveL:  $\lambda=486.4nm$  Purity= $6.7\%$

Peak WaveL:  $\lambda=455nm$  Half Width:  $\lambda=26.8nm$  Ratio: R= $11.8\%$  G= $82.2\%$  B= $6.1\%$

Average Wave:  $545nm$

Rendering Index:  $R_a=70.2$

R1=66 R2=85 R3=87 R4=57 R5=65 R6=72 R7=78 R8=50

R9=0 R10=57 R11=47 R12=37 R13=72 R14=93 R15=64

**Photo Parameters:**

Flux:  $\phi=383.38(lm)$  Luminous Efficacy:  $92.07(lm/W)$  Luminous Power:  $P=1.191(W)$

**Electrical Parameters:**

U= $12.08V$  I= $0.3447A$  P= $4.164W$  PF= $1.000$

Instrument Status:

Scan Range:  $380.0nm-800.0nm$

REF= $24595$

Interval:  $5.0nm$

TMP(PMT)= $31.3degrees$  centigrade

Ip= $11531$  (G=3, D=56)

Test Mode: Fast Test